

LONDON BAR

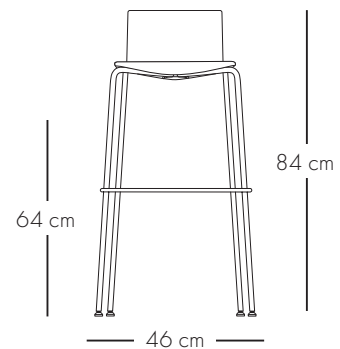
Design by Paul Stilling & Erik Jørgensen



London Bar: London Bar, designed by architect Paul Stilling and Erik Jørgensen, is a stackable versatile bar stool, that fits in well in both the home and in larger office landscapes.

Category: Bar stool

Standard colour:



Seat shell: 9 layers/1.2 mm PEFC-certified veneer

Foam: 60 kg/12mm CMHR

Frame: 16 mm seamless steel tube

Frame Standard: Chrome

Frame lacquered: White, black, yellow, red, blue or matt alu

Size: Height: 84 / 100 cm
Width: 46 cm
Seat height: 64 / 80 cm
Seat depth: 37 cm

Varnished beech
Varnished standard colours
Varnished ash/cherry/maple/oak/walnut or
Stained beech
Varnished elm, pine or wengé stained on ash
Laminate



For more information please ask for pricelist