

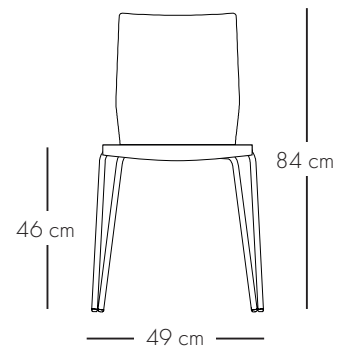
ANNI DINING CHAIR

Design by Danerka



Category: Dining chair

Standard colour:



Seat shell: 9 layers/1.2 mm PEFC-certified veneer
Foam: 60 kg/12mm CMHR
Frame: 16 mm seamless steel tube
Frame Standard: Chrome
Frame lacquered: White, black, yellow, red, blue or matt alu
Size: Height: 84 cm
Width: 49 cm
Seat height: 46 cm
Seat depth: 37 cm

Varnished beech
Varnished standard colours
Varnished ash/cherry/maple/oak/walnut or
Stained beech
Varnished elm, pine or wengé stained on ash
Laminate



For more information please ask for pricelist